

HRDP5500 Pressure Switch

HRDP5500 adjustable pressure switch is an integrated multi-functional product designed and produced for large-scale equipment such as domestic machine tools. The product uses a wide temperature zone with high stability and pressure sensitive components.

No. processing, integrating measurement, display and control; outputting control signals and pressure digital signals simultaneously according to set conditions; safe and reliable; easy to operate and convenient to use. The product range is rich, widely used in hydropower, tap water, petroleum, chemical, machinery, hydraulic and other industries to measure, display and control the pressure of fluid medium.



Features

- Wide temperature zone high stability pressure sensitive component
- Digital error correction
- Live display and control
- Button adjustment, easy to use
- Anti-surge, electromagnetic interference

Specification

Main performance indicators	
Display accuracy	$\pm 0.25\%$ (typical) , $\pm 0.5\%$ F·S (maximum)
control precision	$\pm 0.5\%$ F·S
Range	-0.1~0~0.01~100MPa
Long-term stability	0.1%F·S/year
Overload capability	3X F·S
Output	Two-way PNP or NPN (optional combination)
Pressure type	Gauge pressure, absolute pressure, sealed reference pressure
Temperature characteristics	
Compensation temperature	0~70°C
Operating temperature	-20~85°C
Storage temperature	-40~85°C
Electrical characteristics	
Supply voltage	5 ~ 36V DC (typical 24V)
Power protection	Anti-reverse connection, over voltage protection
Display	4 digital

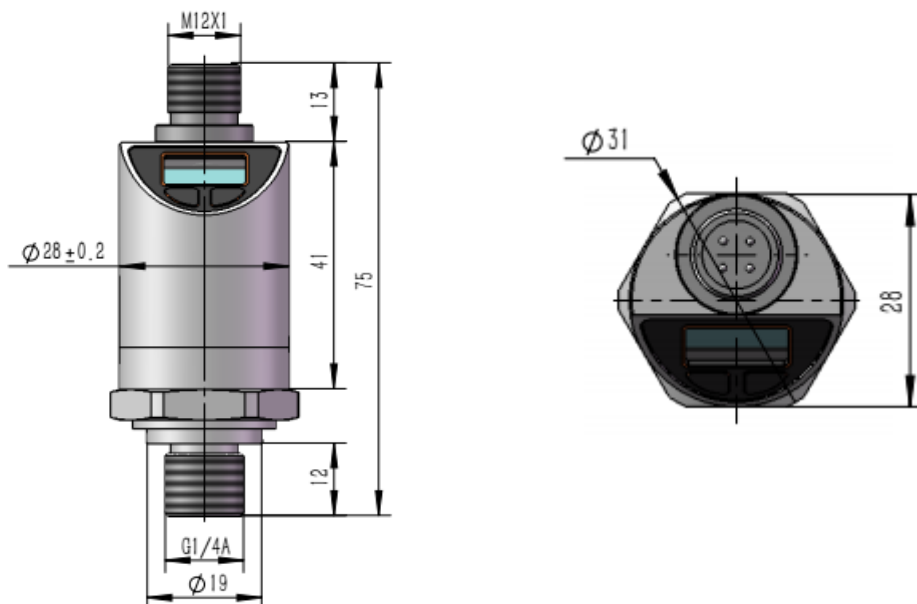
Display range	-1999 ~ 9999
Control node	2 node
Output current	250mA
Current consumption	<35mA
Output response	<10ms
Structural characteristics	
Measuring medium	Compatible with stainless steel and fluoro rubber
Pressure interface	M20*1.5 male, G1/2 male
Housing material	316L stainless steel
Environmental characteristics	
Protection level	IP65
Insulation	100MΩ@50V
Vibration	20g, 20 ~ 5000Hz
Shock	20g, 11ms

Electrical connections

Plug-in Definition

Pin	Definition
1	+Ub
2	Output 2 (SP2)
3	– (0V)
4	Output 1 (SP1)

Outline Construction: (Unit:mm)



Order guide

HRDP5500	smart pressure controller		
	Range	\Measuring range: -0.1~0MPa...0~70MPa	
	[0~X]MPa		
		\code	\Pressure interface
		C3	G1/4
		C5	Other customization
		G	Gauge type
		S	Sealed reference pressure
		A	Absolute pressure type
HRDP5500	[0~60]MPa	C3S	Full model example