

## HR5310 Smart Pressure Controller

### Overview

HR5310 smart pressure display controller is an intelligent pressure measurement and control product integrating pressure measurement, display, output and control. It has RS485 digital interface. The product is fully electronic structure, using international famous brand pressure sensor.

High-precision A/D conversion, processed by micro-processing, on-site display, and output one analog and five-way output.

The smart digital pressure controller is flexible in use, simple in operation, easy to debug, safe and reliable, and is widely used in the fields of hydropower, tap water, petroleum, chemical, mechanical, hydraulic, etc. to measure, display and control the pressure of the fluid medium.

### Features

---

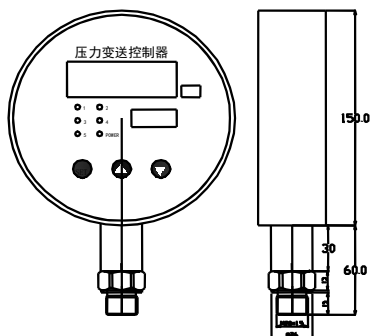
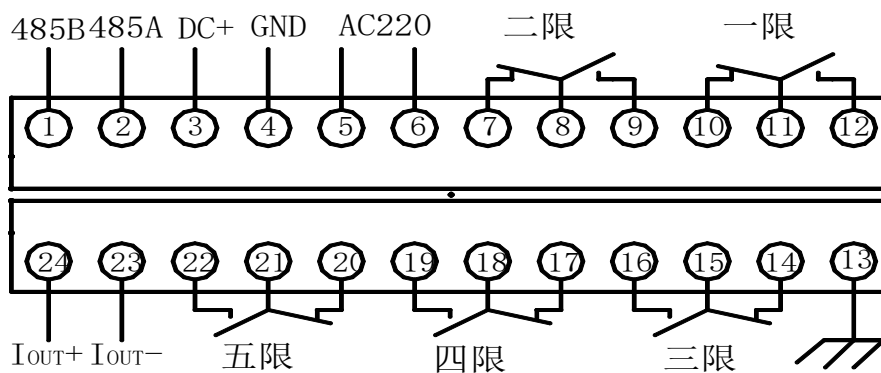
- 100mm standard instrument installation
- Double 4-digit LED digital tube display, the main screen is 0.8 inches, and the screen is 0.36 inches.
- Double 4-digit LED digital tube display, the main screen is 0.8 inches, and the screen is 0.36 inches....
- 4 ~20mA, RS485 standard signal output (optional)
- Power supply 24VDC/220VAC optional (or dual power supply)
- The pay screen can display the maximum, minimum, percentage, and all control pull and release values. The user can change at any time.
- It can be used on the spot to change the parameters of the controller.

### Specification

---

Measuring range	0-100MPa	Accuracy level	0.3%,0.5%FS
Overload capability	200%	Pressure type	Gauge
Stability	≤0.1% /year	voltage	220VAC/24VDC
Main display	0.8"Digital Tube	Display range	-1999~9999
Sub-display	0.36"Digital Tube	Analog output	4-20mA/RS485
Ambient temperature	-20°C~70°C	Relative humidity	≤80%
Number of switches	0-5	Switching characteristics	Relay normally open / normally closed
Mounting thread	M20*1.5	Protection level	IP63

### Electrical connections



Outline Construction (unit: mm)

Order guide

HR5310	Smart pressure controller					
	Range					
	[0~X] KPa/MPa					
		code	Control type			
		T1	Both 1 and 2 are upper limit controls			
		T2	1 is the upper limit control, 2 is the lower limit control			
		T3	1 is the lower limit control and 2 is the upper limit control			
		T4	Both 1 and 2 are lower limit controls			
		code	Construction Material			
			Housing	Diaphragm	Process connection	
			S1	stainless steel	316L	stainless steel
			S2	316L	316L	316L
			code	Others		

				H/L	Pressure upper/lower limit
				C1	M20×1.5 male, face type seal
				C2	M20×1.5 male, waterline seal
				C3	G1/2 males
				G	Gauge type (atmospheric reference)
				S	Gauge type (sealed reference)
				A	Absolute pressure type
HR5310	[0 ~ 10] KPa	T2	S1	5/3KPa-C2G	Full model example