

HR-S Indicator for Pressure Sensor

The intelligent digital indicator is connected to the transmitter with RS485 via the input and output wires. The 4~20 mA output and the setting range is in the linear relationship. The transmitter loop current, is both the input signal and power supply for the display indicator; the panel buttons is available for Zero and Span adjustment. It has easy operation and high accuracy. Besides, it is widely used. With the backlit LCD display technology, whether in bright light and dark light conditions, it can clearly show the digital value.

It has the Hirschmann plug and socket at the top and bottom respectively, can be connected to the transmitter with Hirschmann port to display value.

Specification

Working voltage: DC9-30V

Interior Resolution: 24 bits AD

Output method: RS485 MODBUS RTU

Display: LCD+ Backlit (white backlight)

Display range: -19999~99999

Thermal Error: < 50ppm

Voltage drop: < 0.7V DC

Sampling rate: 4times/second

Accuracy: $\pm 0.1\%$

Polarity: Reversed polarity protection

Working current: < 4mA

Working Temperature: -25°C ~ 70°C

Storage Temperature: -40°C ~ 80°C

Unit option: 9 units for option (pressure, temperature, height)

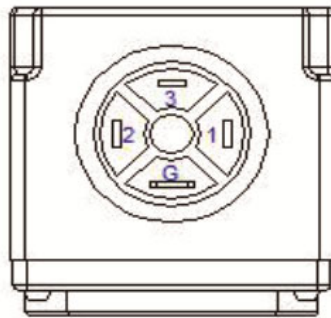
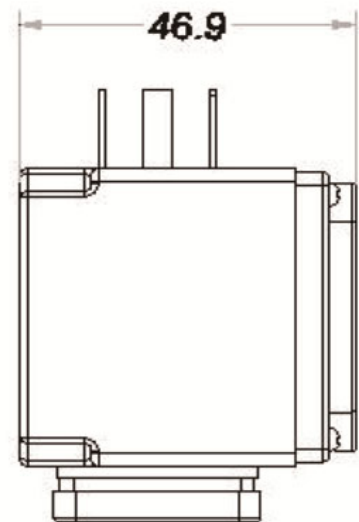
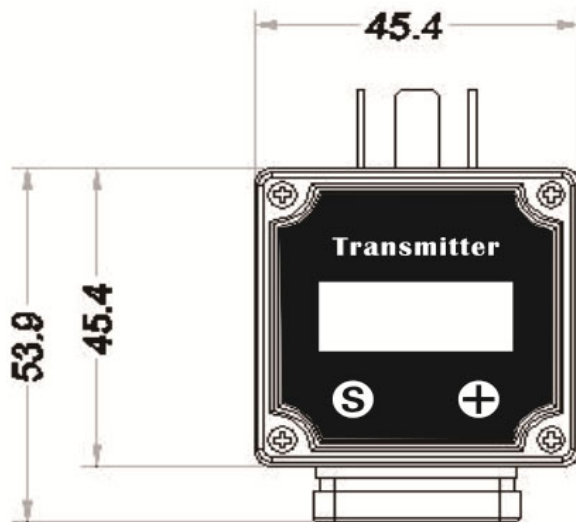
Keys operation instruction



Function confirm



:



Electric Connection

This indicator has male round Hirschmann plug on the top for power and loaded cable; also it has female Hirschmann square socket at the bottom, which can be connected to the plug of the transmitter:

Electric Definition:

Pin 1: V+ /Red

Pin 2: V-/Yellow

Pin 3: RS485A/Blue

Pin 4: RS485B/Green